

Mobile Produce Wash Station

This is a construction guide and materials list to build a mobile wash station for washing fruits and vegetables on your farm or garden.

One side can be used as a spray table to spray sturdy items like roots, and the other is a wash tub for items like greens.



These are the materials needed to construct 2 flat topped spray tables and 1 tub station. Pricing changes over time. Estimate for building 2 spray tables and 1 wash tub station = \$388.45.

Item	Qty	Description and Link	Source	Price	Total
Lumber	14	2x6x10'	Menard's	\$8.72	\$122.08
Screws	2	1 lb boxes 9x2 1/2 exterior screws for structure	Menard's	\$7.78	\$15.56
Paint	1	Exterior paint for wooden parts	Ramsey County Product Re-use Center	\$0.00	\$0.00
Bench Tops	6	A/V Plastic Benchtop 18x36	Berry Hill Drip Irrigation	\$12.39	\$74.34
Screws	1	1 lb box 8x1 1/4 exterior screws for benchtops	Menard's	\$7.78	\$7.78
Wash tubs	3	2-bushel produce lugs	Nolt's	\$20.00	\$60.00
Drains for tubs	3	1" bulkhead fittings for draining lugs	Zoro	\$6.27	\$18.81
Drain Plugs	1	6-pack of Size 6.5 rubber stoppers for lug drains	Amazon	\$9.88	\$9.88
Freight	1	Shipping	Nolts, Berry Hill and Zoro	\$80.00	\$80.00

Wood parts list cut from the 14 2X6X10' boards

Qty	Length	Description
12	36"	Long part of leg
12	30.5	Short part of leg
4	32	Cross pieces for tub support
2	68	Long piece for tub support
6	52	Long piece for bench top
4	36.5	Short piece for bench top

Cut List

# of Boards	1st Cut	2nd Cut	3rd Cut
2	68	36	
2	36	32	32
4	52	30.5	30.5
2	36	36	36
2	52	36	30.5
2	36.5	36.5	30.5

Instructions:

Step 1: Cut lumber according to the **cut list** chart. (For example - Row 1: 2 Boards cut to give you 2 - 68 inch boards and 2 - 36 inch boards.)

68 inches	36 inches	Scrap
-----------	-----------	-------

Step 2: Assemble legs: Screw one 36" piece to one 30.5" piece, repeat 12 times

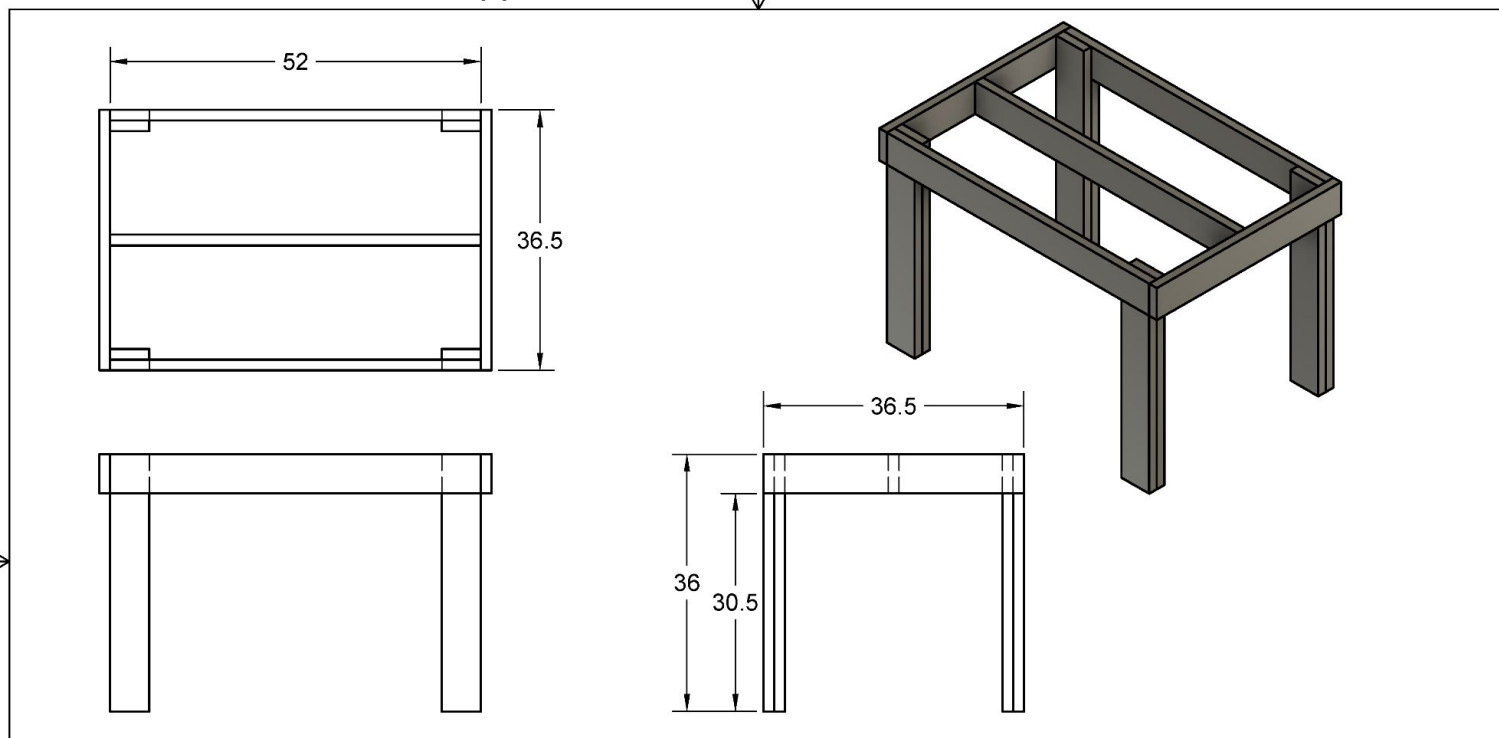
Step 3: Assemble bench frames: Screw one 36.5" piece into the end of one 52" piece, repeat until you have a rectangle. (See the drawing - Mobile Wash Stand)

Step 4: Assemble tub support frame: Measure the width of the tubs below the lip and attach the 4 32" cross pieces to the 68" pieces the same width as the tub

Step 5: Attach bench tops: Attach the three bench tops to each bench frame using screws.

Step 6: Attach legs: Attach 4 legs to each top with 3-4 screws.

Mobile Wash Stand - Flat topped station



For more information on food safety for farms and gardens, please see <https://extension.umn.edu/safety/growing-safe-food> and contact Annalisa Hultberg, Extension Educator, food safety hultbo6@umn.edu.

A special thank you to Thomas Austin and the students in the Career and Technical Education program at Humboldt High School in St. Paul, MN for building the wash station prototypes and for the CAD drawing, and to David Van Eeckhout and Good Acre Food Hub for the original design.

This work is supported by a Food Safety Outreach Program [grant no. 2020-70020-33022] from the USDA National Institute of Food and Agriculture and from a Specialty Crop Block Grant from the Minnesota Department of Agriculture.